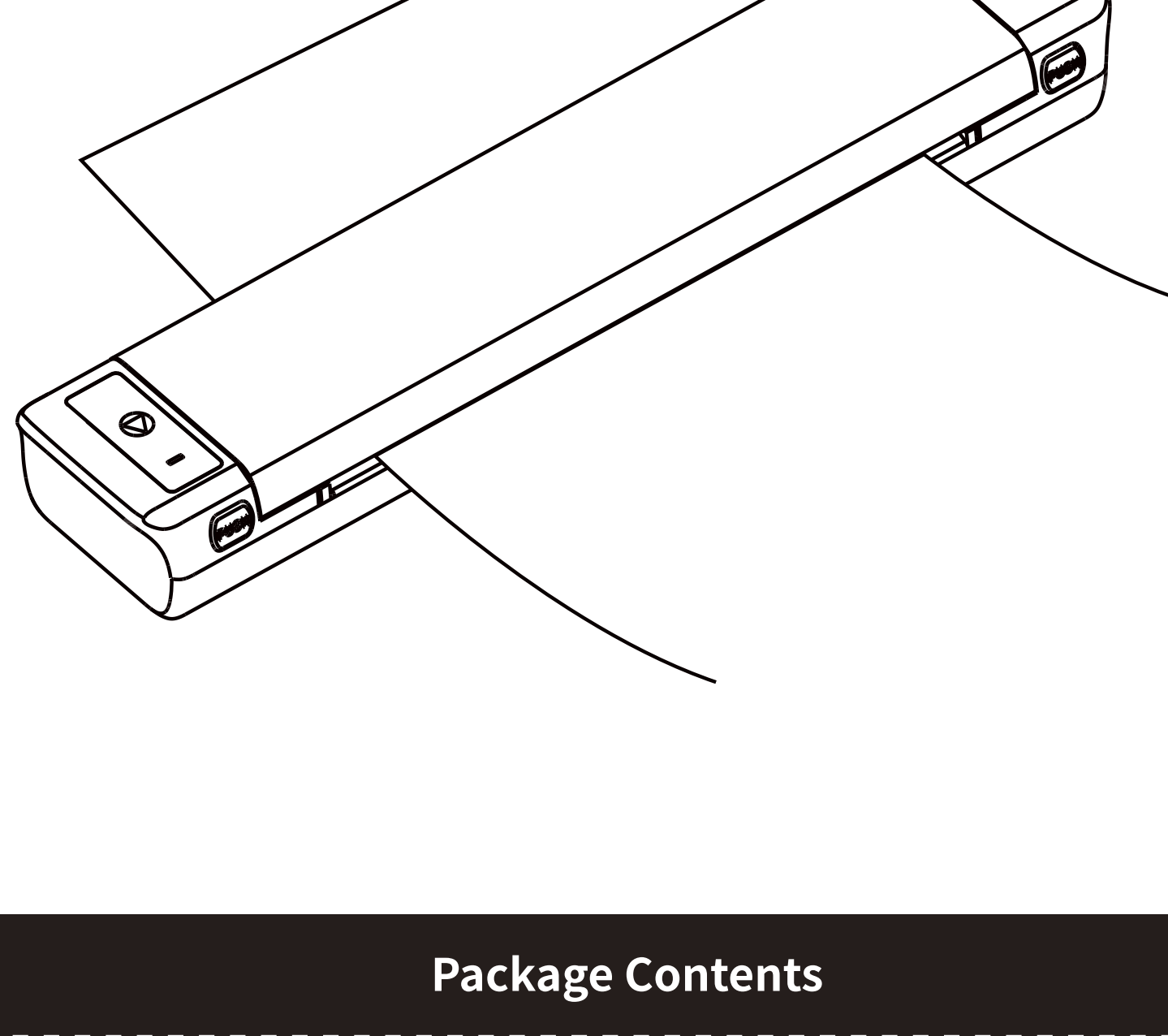
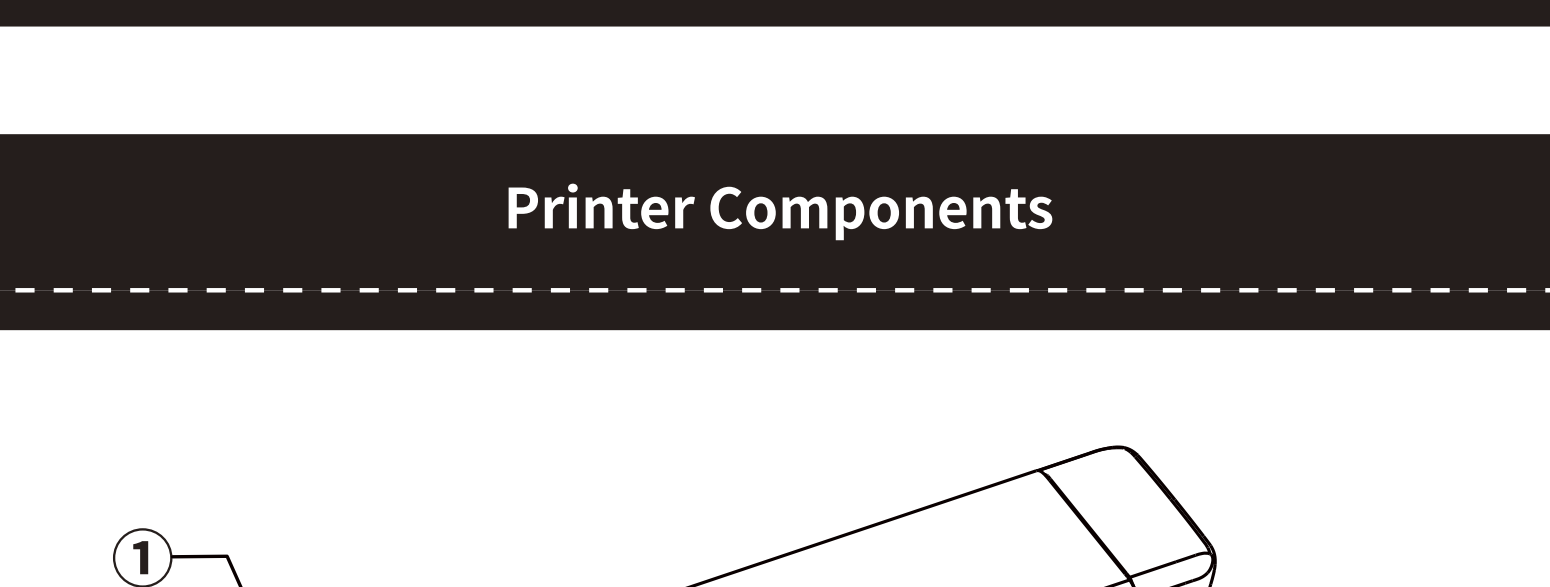


WIRELESS PORTABLE PRINTER

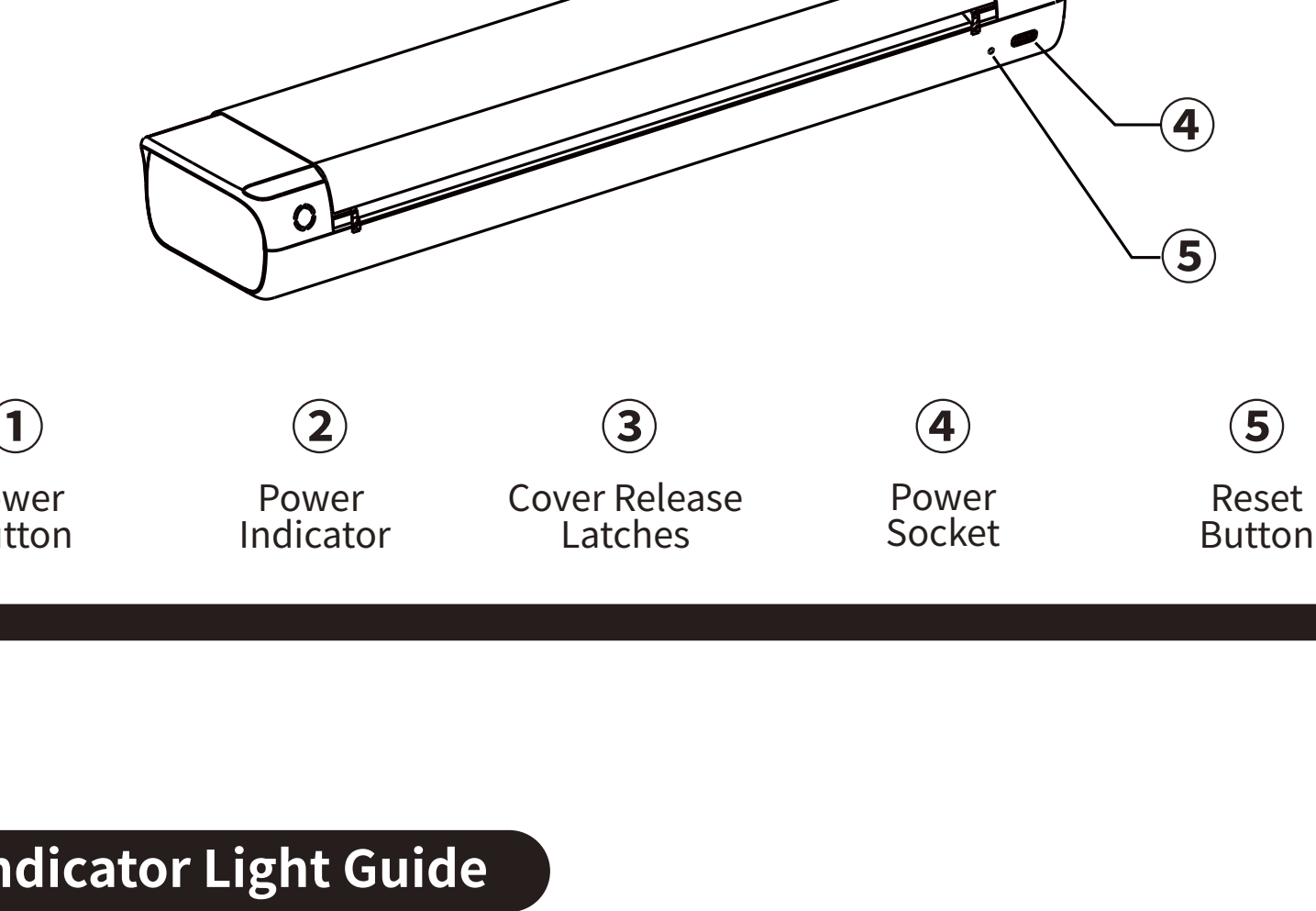
QUICK START GUIDE



Package Contents



Printer Components



- ①
Power Button
- ②
Power Indicator
- ③
Cover Release Latches
- ④
Power Socket
- ⑤
Reset Button

01. Indicator Light Guide

Name	Status	Description
Power Indicator	Lit (Red)	Out of paper/ Cover is open/ Overheat
	Blinking (Red)	Low power
	Lit (Green)	Normal
	Blinking (Green)	Charging

02. Button Function

(Power) Button Function	Operation
Turn on the printer	Press and hold the button for around 3 seconds until the power indicator light turns on.
Print QR code	Double-press the button to print QR code. You can scan the QR code using the App on the phone and connect to the printer.
Turn off the printer	Press and hold the button for around 3 seconds until the power indicator light turns off.

03. Precautions

- ① Please use 5V=2A input for charging.
- ② Please connect the USB cable to the power adapter before charging, Please gently insert or unplug the charging cable when charging, to prevent excessive force from damaging the port.
- ③ After the charging is completed, please unplug the charging cable in time.
- ④ In order to avoid danger, do not use or charge in the environment of high temperature, high humidity, heavy smoke and dust, such as in bathroom, steam room, near to open flame, etc.
- ⑤ Improper charging may cause damage to the print head.
- ⑥ Do not touch the print head to prevent scalding caused by overheating.
- ⑦ The tearing blade is sharp, please be careful to avoid touching it by mistake.
- ⑧ If the machine is malfunctioning, insert the reset hole to restart the machine.

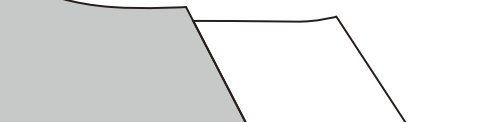
04. Battery warning instructions

- * It is forbidden to disassemble, hit, squeeze the battery, or throw it into fire;
- * If severe swelling occurs, please do not reuse it;
- * Do not place in a high temperature environment, and it is strictly prohibited to use the battery after soaking in water;
- * There is a danger of explosion if the battery is replaced by the wrong type. Be sure to dispose of the used battery according to the instructions;
- * If consumers use a power adapter for power supply, they should purchase a power adapter that meets the requirements of corresponding safety standards or a power adapter with CCC certification.

05. Instruction Guide

5.1 Install App

- (1) Download the App
Please search for "Quick Stencil" on your phone's App market and download the App.

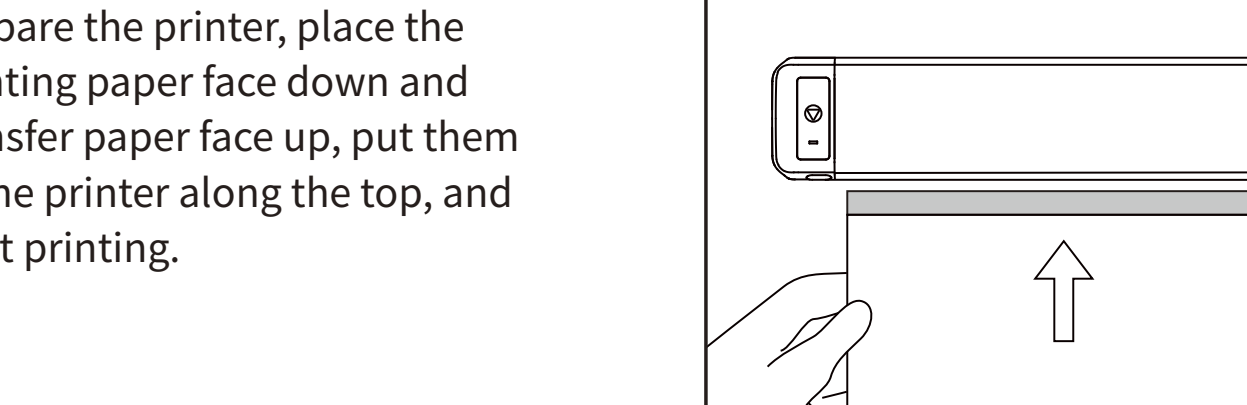


- (2) Connect the printer to the App

Method 1: Turn on your phone's Bluetooth and open your Quick Stencil App. Press the button on the top right of your Quick Stencil App home page and select M08 Pro from the list.

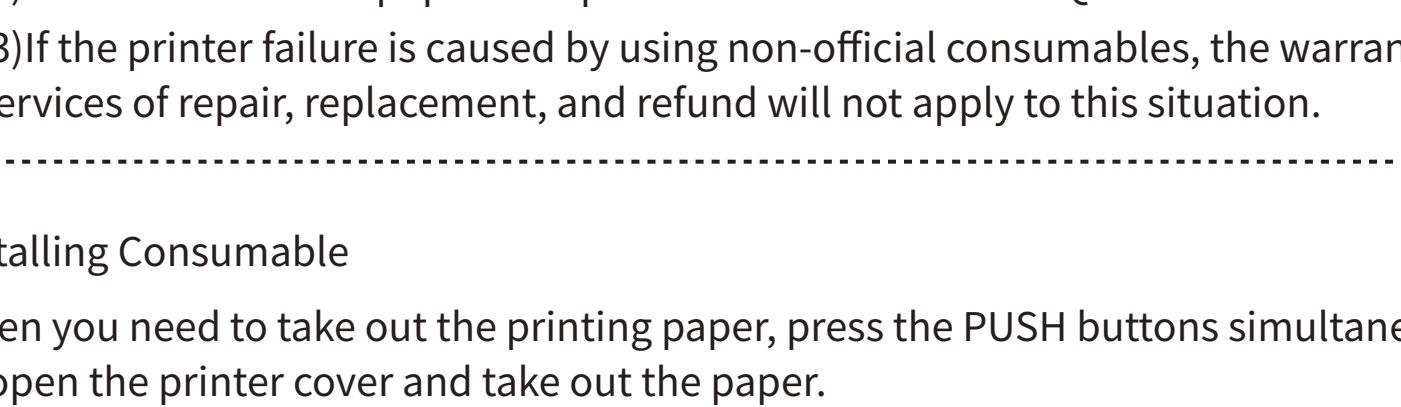
Note: Android system needs to enable positioning and allow app to obtain relevant permissions.

Method 2: Double-press the printer's power button to print a QR code. Open your Quick Stencil App and press the button on the top right of your Quick Stencil App home page. On the selection page, press scan and scan the QR code to connect to the printer.



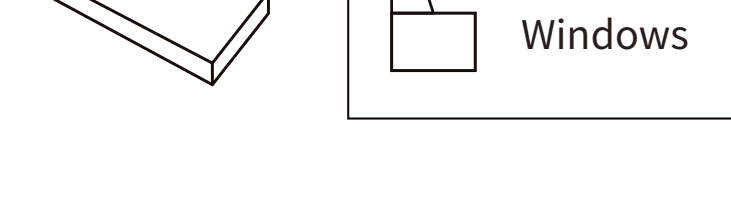
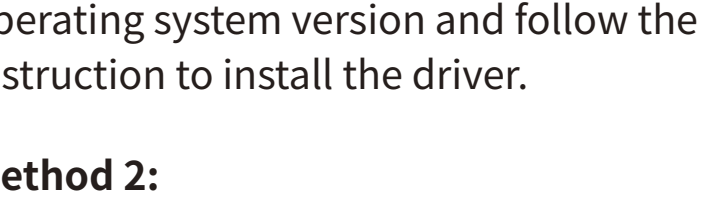
5.2 Install and change the printer's consumable

- (1) Installing Consumable

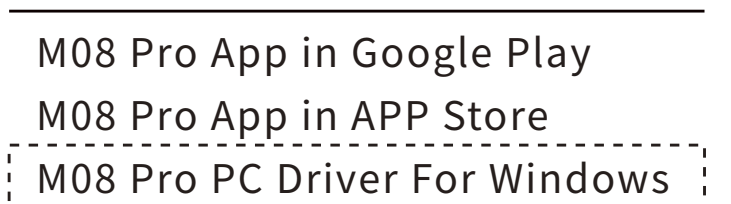


In order to ensure printing with high quality, please refer to the following steps:

- 1 Prepare the four-layer transfer paper, and take out the Protect Paper.
- 2 Remove the backing paper, and cut the backing paper horizontally along the bottom side of the top adhesive part. Note that the adhesive part of the paper should be kept intact.



- 3 Prepare the printer, place the printing paper face down and transfer paper face up, put them in the printer along the top, and start printing.



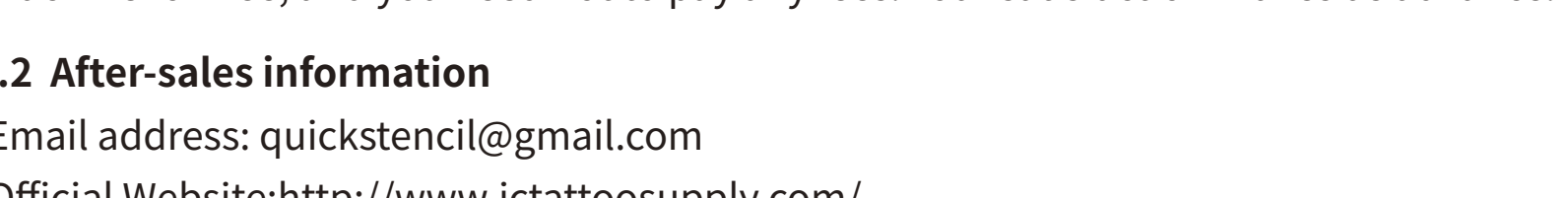
Transfer paper: oil-based

Note:

- (1) The paper must be inserted aligned to the paper feeder.
- (2) If the above transfer paper is a special consumable on the Quick Stencil printer.
- (3) If the printer failure is caused by using non-official consumables, the warranty services of repair, replacement, and refund will not apply to this situation.

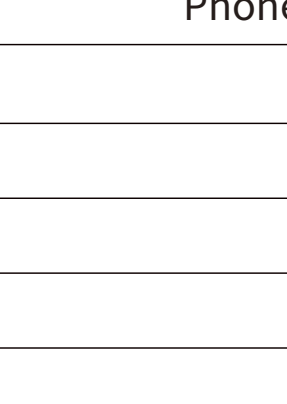
- (2) Installing Consumable

When you need to take out the printing paper, press the PUSH buttons simultaneously to open the printer cover and take out the paper.



06. How to download and install driver

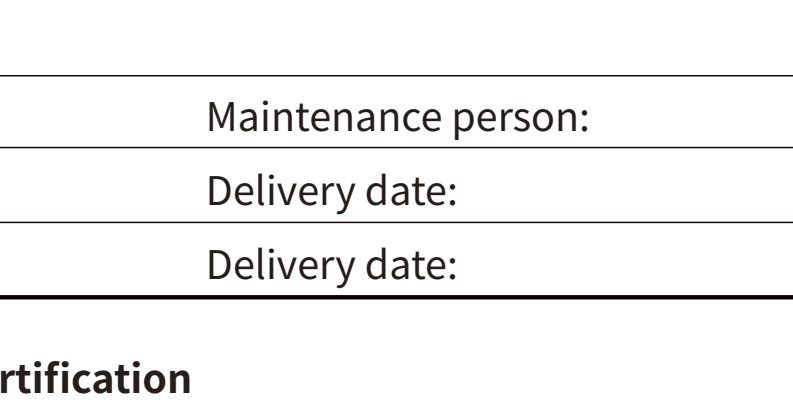
Method 1: Use the USB pendrive included in the package to obtain the latest driver. Download the relevant driver according to your operating system version and follow the instruction to install the driver.



Method 2: Download the latest driver from the official website.

Download the relevant driver according to your operating system version and follow the instruction to install the driver.

website: <http://www.jctattoosupply.com/downloadcenterM08PRO>



Tip: If you wish to obtain more tutorials on how to install the driver, please open your Quick Stencil APP > Profile > Use Tutorial to obtain more guidance

07. After-sales Service

7.1 Warranty description

100% warranty within 1 year

* Although the product has undergone strict testing and quality inspection, accidents may occur during transportation, resulting in damages to the machine. If there is any problem with the printer, please contact us through the following methods. We have a quick response after-sales team to solve the problem professionally.

* If the problem is still not solved through our joint efforts, we will replace you with a new machine for free, and you need not to pay any fees. Your satisfaction makes us advance.

7.2 After-sales information

Email address: quickstencil@gmail.com

Official Website: <http://www.jctattoosupply.com/>

08. Warranty card

- Return Exchange Repair

User Info	Name:	Sex:	Phone:
	Address:		
Product Info	Purchase date:		
	Product Serial Number:		
Requirements of return /replacement /repair	Reason description:		
Maintenance records	Failure condition:	Maintenance person:	
	Handling situation:	Delivery date:	
	Maintenance ticket number:	Delivery date:	

Product certification

Inspector: _____ Delivery date: _____

09. FCC Warning

This device complies with part 15 of the FCC Rules. Operation is subject to the following two conditions: (1) This device may not cause harmful interference, and (2) this device must accept any interference received, including interference that may cause undesired operation. Any changes or modifications not expressly approved by the party responsible for compliance could void the user's authority to operate the equipment.

This equipment has been tested and found to comply with the limits for a Class B digital device, pursuant to part 15 of the FCC Rules. These limits are designed to provide reasonable protection against harmful interference in a residential installation. This equipment generates uses and can radiate radio frequency energy and, if not installed and used in accordance with the instructions, may cause harmful interference to radio communications. However, there is no guarantee that interference will not occur in a particular installation. If this equipment does cause harmful interference to radio or television reception, which can be determined by turning the equipment off and on, the user is encouraged to try to correct the interference by one or more of the following measures:

- Reorient or relocate the receiving antenna.
- Increase the separation between the equipment and receiver.
- Connect the equipment into an outlet on a circuit different from that to which the receiver is connected.
- Consult the dealer or an experienced radio/TV technician for help.

The device has been evaluated to meet general RF exposure requirement. The device can be used in portable exposure condition without restriction.

10. IC Warning

IC Caution:

Radio Standards Specification RSS-Gen, issue 5- English:

This device contains licence-exempt transmitter(s)/receiver(s) that comply with Innovation, Science and Economic Development Canada's licence-exempt RSS(s). Operation is subject to the following two conditions:
This device may not cause interference.
This device must accept any interference, including interference that may cause undesired operation of the device.

RF exposure statement:

The device has been evaluated to meet general RF exposure requirement. The device can be used in portable exposure condition without restriction.

- French:

Cet appareil contient des émetteurs / récepteurs exemptés de licence conformes aux RSS (RSS) d'Innovation, Sciences et Développement économique Canada. Le fonctionnement est soumis aux deux conditions suivantes:
Cet appareil ne doit pas causer d'interférences.
Cet appareil doit accepter toutes les interférences, y compris celles susceptibles de provoquer un fonctionnement indésirable de l'appareil.

Déclaration d'exposition RF:

L'appareil a été évalué pour répondre aux exigences générales d'exposition aux RF. L'appareil peut être utilisé dans des conditions d'exposition portable sans restriction.